

[54] SAW TABLE

[75] Inventors: Edward A. Irelan, Columbia, Mo.; Harold E. Folkerth, Dayton, Ohio; John G. Legler, Huber Heights; Garry W. Woods, Dayton, both of Ohio

[73] Assignee: Shopsmith, Inc., Vandalia, Ohio

[**] Term: 14 Years

[21] Appl. No.: 552,575

[22] Filed: Nov. 16, 1983

[52] U.S. Cl. D15/133; D15/127

[58] Field of Search D15/133, 141, 127; 83/859, 472, 473; 144/1 R, 286 R, 286 A, 287; 269/55, 56, 66, 68, 289 R

[56] References Cited

U.S. PATENT DOCUMENTS

D. 95,600	5/1935	Merrigan	D15/133
D. 248,304	6/1978	McCord et al.	D15/127
D. 273,195	3/1984	Ferdinand et al.	D15/141
991,171	5/1911	Rieck	269/309
1,585,432	5/1926	Stich	269/309
4,186,784	2/1980	Stone	144/1 R
4,281,570	8/1981	Hill	D15/133
4,350,193	9/1982	McCambridge et al.	144/1 R

Primary Examiner—B. J. Bullock
Attorney, Agent, or Firm—Biebel, French & Nauman

[57] CLAIM

The ornamental design for a saw table, substantially as shown and described.

DESCRIPTION

FIG. 1 is a perspective view of a saw table showing our new design, the multipurpose woodworking table being shown in broken lines for illustrative purposes only; FIG. 2 is a perspective view thereof taken from a different angle; FIG. 3 is an enlarged front elevational view thereof; FIG. 4 is an enlarged top plan view taken in the direction of the arrows on line 4—4 of FIG. 3; FIG. 5 is an enlarged sectional view taken in the direction of the arrows on line 5—5 of FIG. 3; FIG. 6 is an enlarged sectional view taken in the direction of the arrows on line 6—6 of FIG. 3; FIG. 7 is an enlarged bottom plan view taken in the direction of the arrows on line 7—7 of FIG. 3; FIG. 8 is an enlarged rear elevational view thereof; FIG. 9 is an enlarged elevational view taken in the direction of the arrows on line 9—9 of FIG. 8; FIG. 10 is an enlarged side elevational view taken in the direction of the arrows on line 10—10 of FIG. 8.

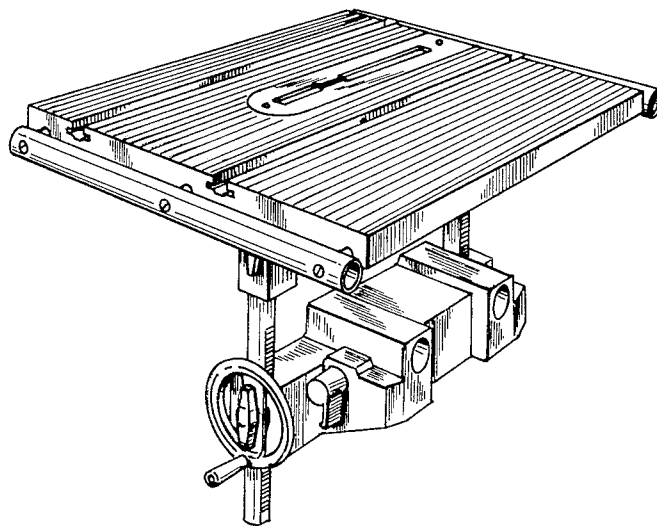


FIG-1

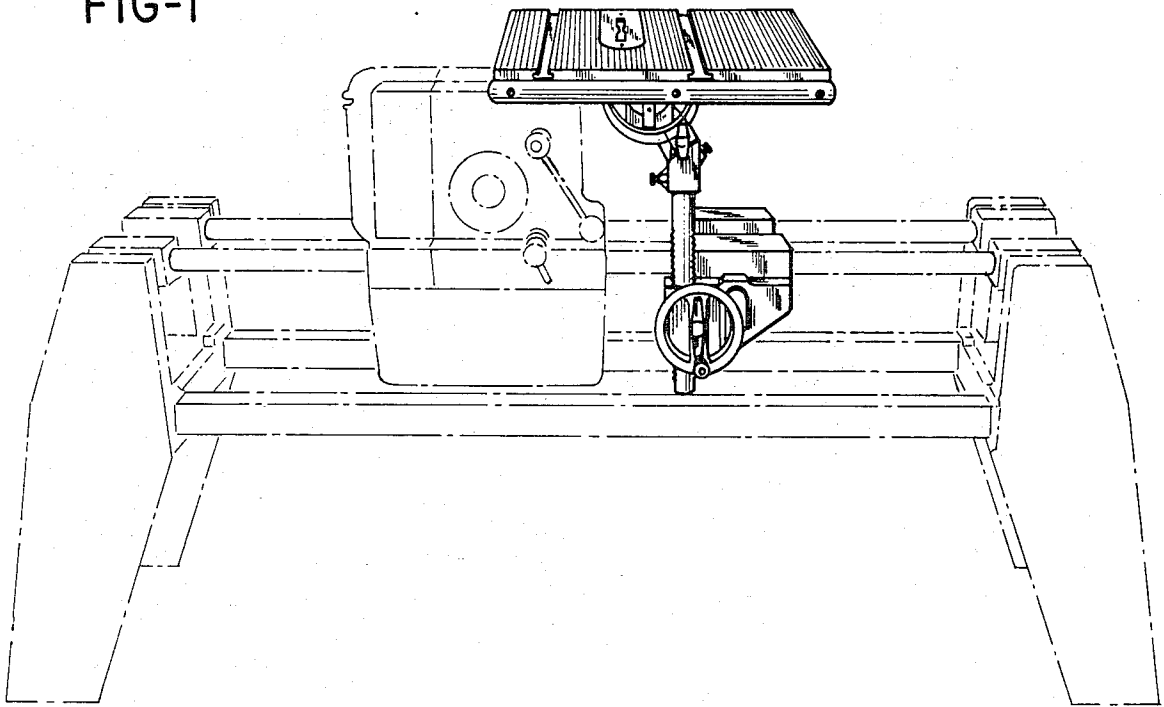
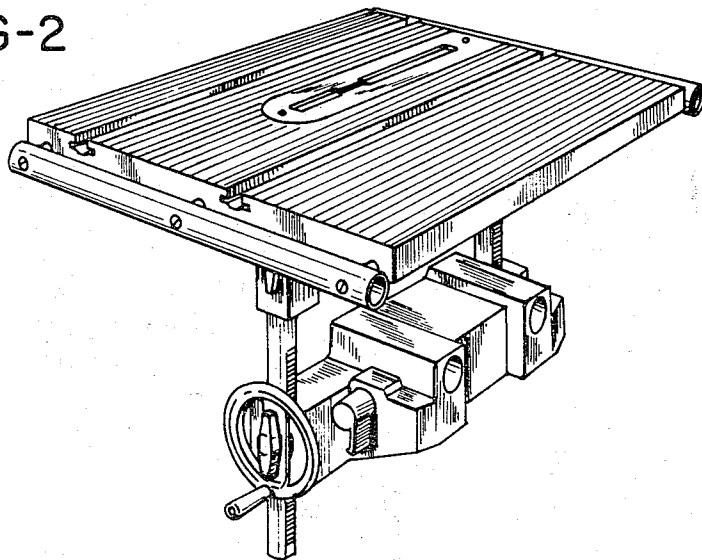
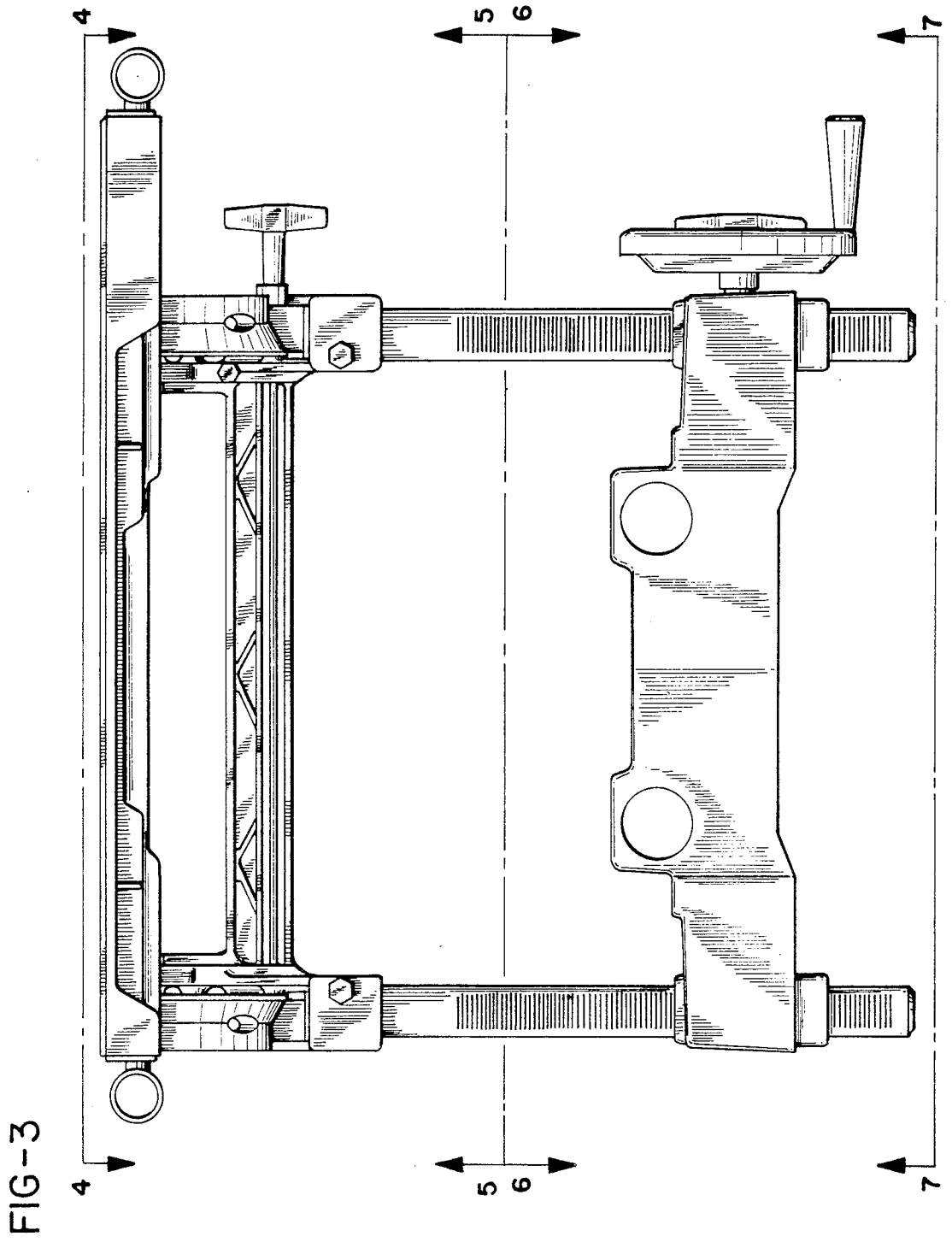


FIG-2





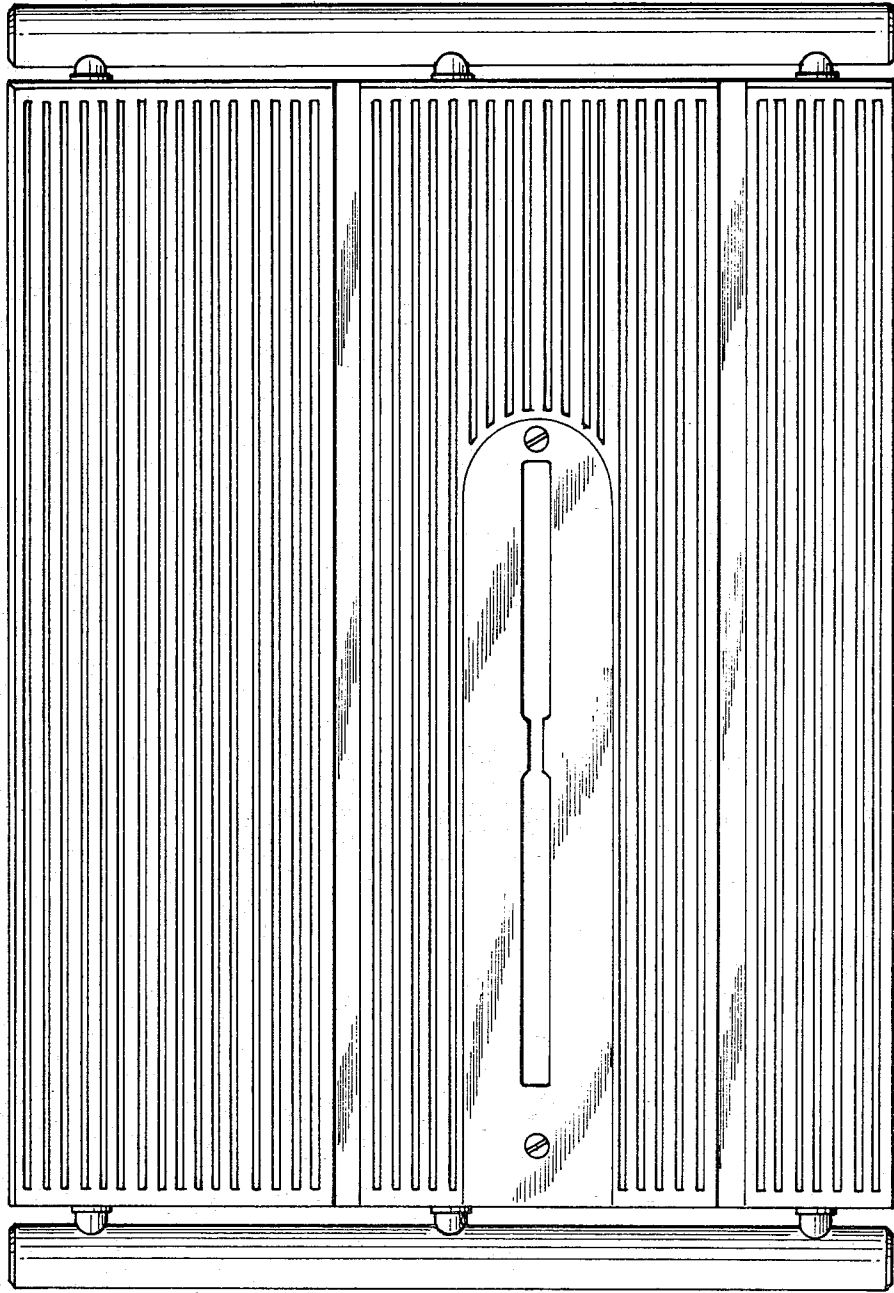


FIG-4

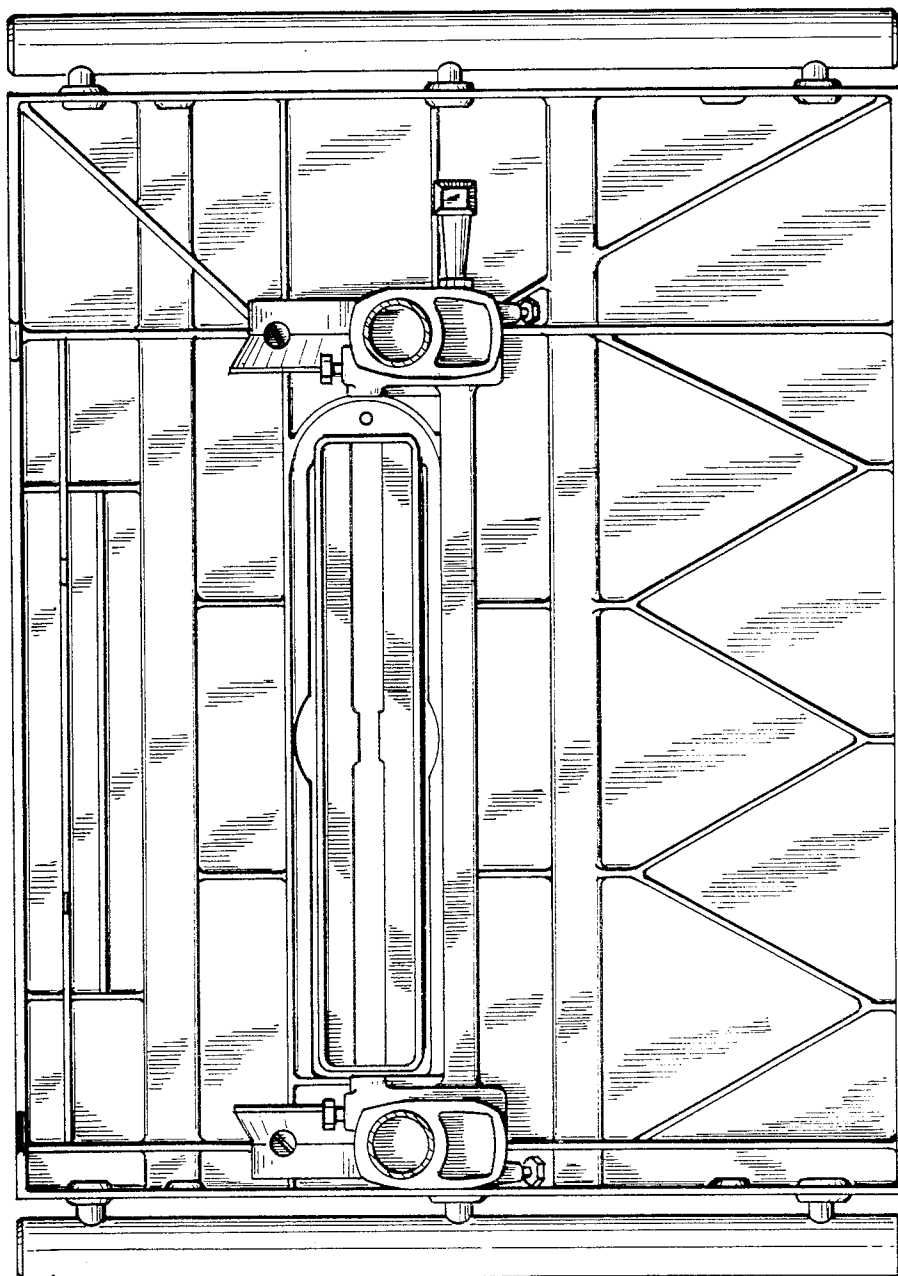


FIG-5

FIG-9

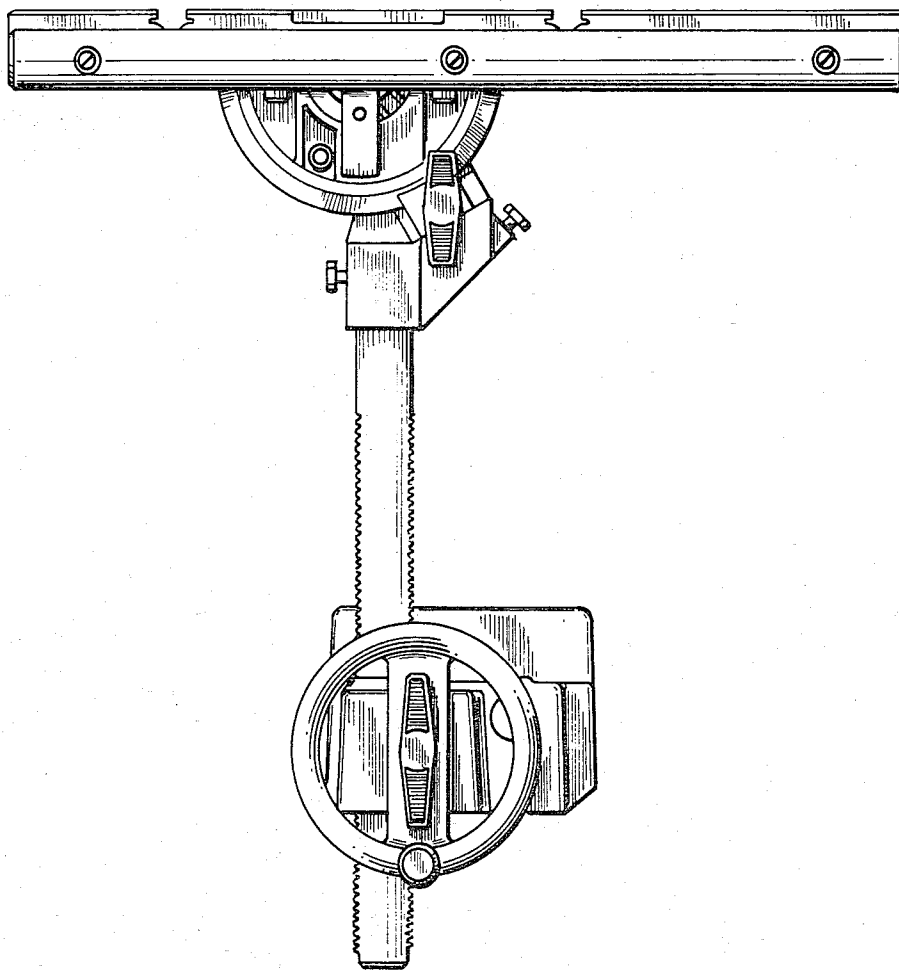
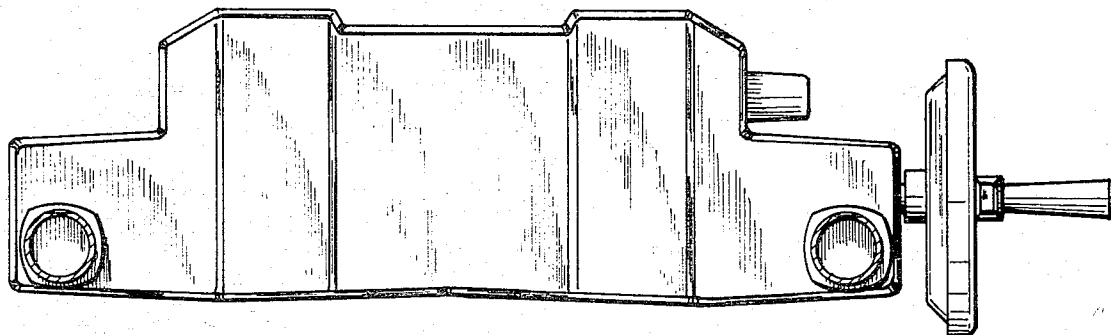


FIG-6



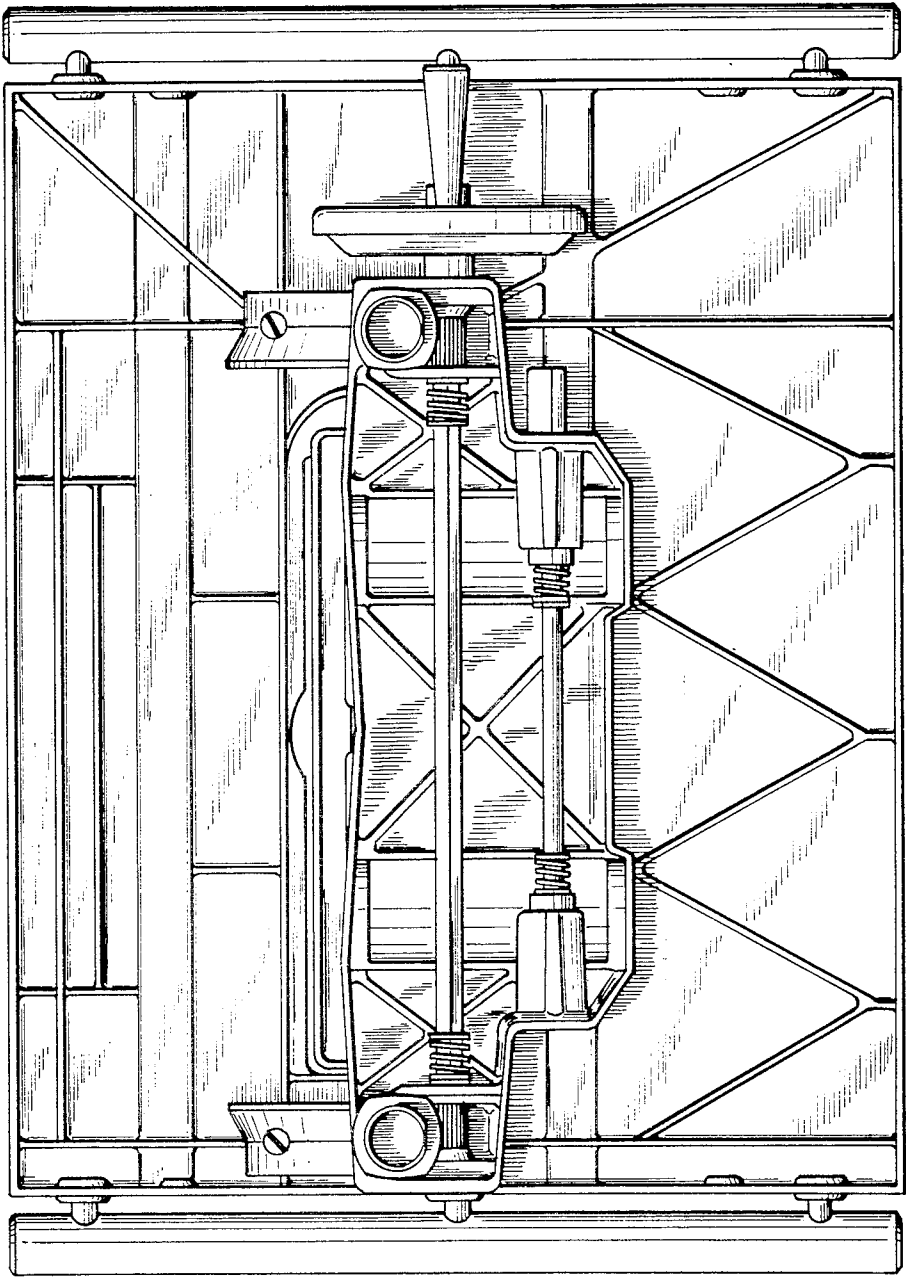


FIG-7

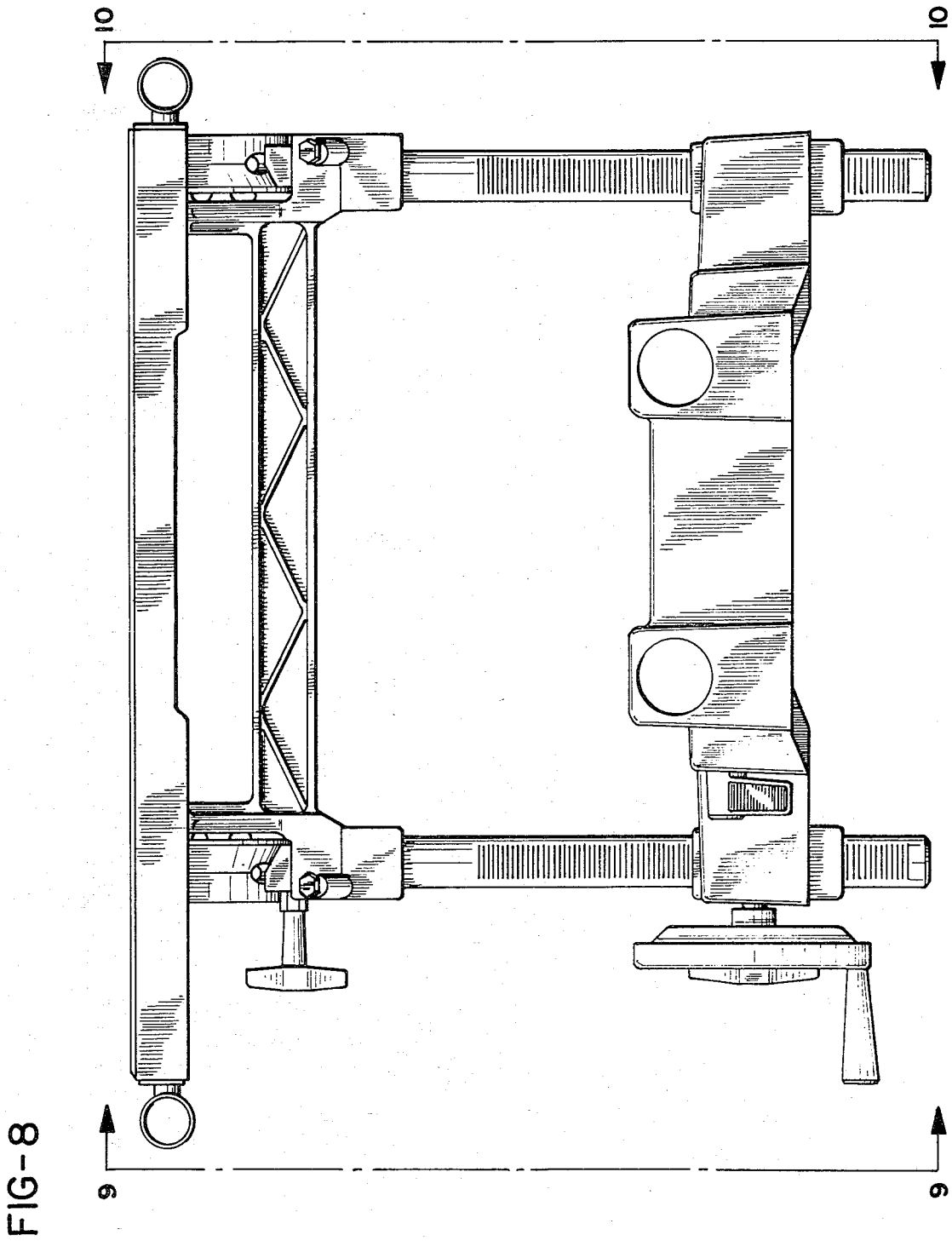


FIG-10

